

PROTECTION PRODUCTS - RailClamp®

Description

RailClamp® is a low capacitance TVS array designed to protect high speed data interfaces. This series has been specifically designed to protect sensitive components which are connected to data and transmission lines from overvoltage caused by **ESD** (electrostatic discharge), **CDE** (Cable Discharge Events), and **EFT** (electrical fast transients).

The monolithic design incorporates surge rated, low capacitance steering diodes and a TVS diode in a single package. Each line has a maximum capacitance of < 0.8pF to ground. The capacitance of each line is well matched for constant signal balance. This device is optimized for ESD protection of portable electronics. It may be used to meet the ESD immunity requirements of IEC 61000-4-2, Level 4 ($\pm 15\text{kV}$ air, $\pm 8\text{kV}$ contact discharge).

The RClamp™2504P and RClamp™3304P are constructed using Semtech's proprietary EPD process technology. The EPD process provides low standoff voltages with significant reductions in leakage current and capacitance over silicon-avalanche diode processes. They feature a true operating voltage of 2.5 volts and 3.3 volts for superior protection.

These devices are in a 6-pin, RoHS/WEEE compliant, SLP1616P6 package measuring 1.6 x 1.6 x 0.58mm. The leads are spaced at a pitch of 0.5mm and are finished with lead-free NiPdAu.

Features

- ◆ Transient protection for high-speed data lines to **IEC 61000-4-2 (ESD) $\pm 15\text{kV}$ (air), $\pm 8\text{kV}$ (contact)**
IEC 61000-4-4 (EFT) 40A (5/50ns)
- ◆ Array of surge rated diodes with internal TVS Diode
- ◆ Small package saves board space
- ◆ Protects up to four I/O lines
- ◆ Low capacitance (**<0.8pF**) for high-speed interfaces
- ◆ Minimal insertion loss to **3.0GHz**
- ◆ Low operating voltage: **2.5V and 3.3V**
- ◆ Low leakage current and clamping voltage
- ◆ Solid-state silicon-avalanche technology

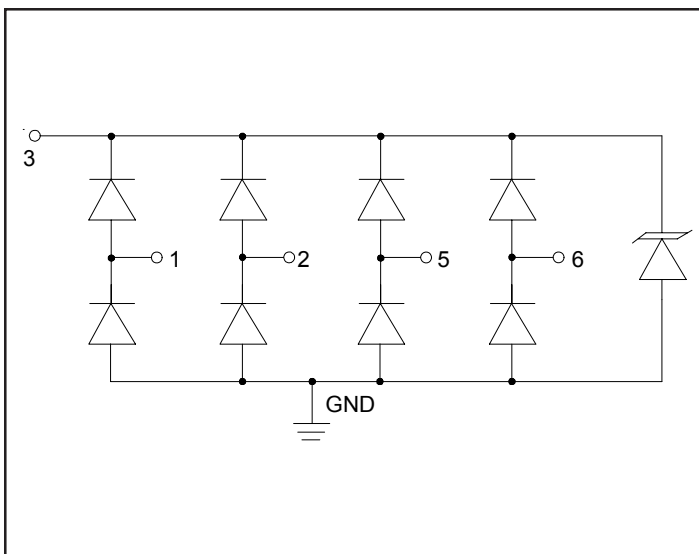
Mechanical Characteristics

- ◆ SLP1616P6 package
- ◆ RoHS/WEEE Compliant
- ◆ Nominal Dimensions: 1.6 x 1.6 x 0.58 mm
- ◆ Lead Finish: NiPdAu
- ◆ Molding compound flammability rating: UL 94V-0
- ◆ Marking: Marking Code + Date Code
- ◆ Packaging: Tape and Reel

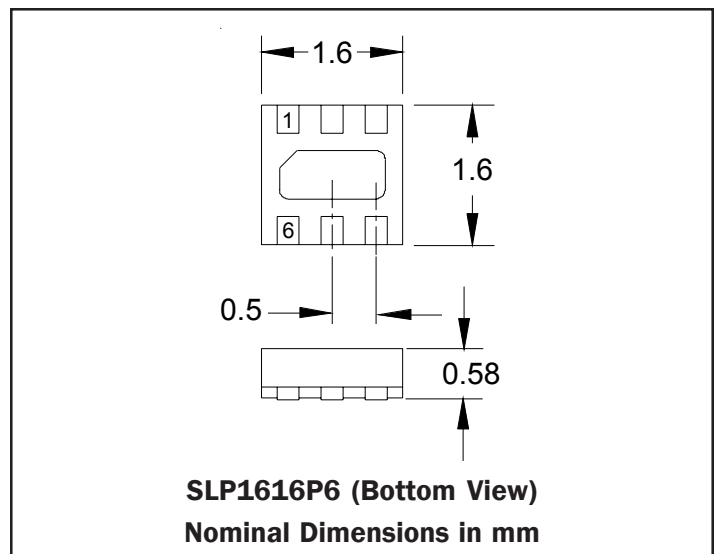
Applications

- ◆ Multi Media Card (MMC) Interfaces
- ◆ SATA Interfaces
- ◆ SD Card Interfaces
- ◆ SIM Ports
- ◆ MDDI Ports
- ◆ MPPI Ports

Circuit Diagram



Pin Configuration



PROTECTION PRODUCTS

Absolute Maximum Rating

| Rating | Symbol | Value | Units |
|--|-----------|-------------|-------|
| Peak Pulse Power (tp = 8/20μs) | P_{pk} | 80 | Watts |
| Peak Pulse Current (tp = 8/20μs) | I_{PP} | 5 | A |
| ESD per IEC 61000-4-2 (Air) ESD per IEC 61000-4-2 (Contact) | V_{ESD} | 20 12 | kV |
| Operating Temperature | T_J | -40 to +85 | °C |
| Storage Temperature | T_{STG} | -55 to +150 | °C |

Electrical Characteristics (T=25°C)

| RClamp2504P | | | | | | |
|---------------------------|-----------|---|---------|---------|---------|-------|
| Parameter | Symbol | Conditions | Minimum | Typical | Maximum | Units |
| Reverse Stand-Off Voltage | V_{RWM} | Pin 3 to GND | | | 2.5 | V |
| Punch-Through Voltage | V_{PT} | $I_{PT} = 2\mu A$ | 2.7 | | | V |
| Snap-Back Voltage | V_{SB} | $I_{SB} = 50mA$ | 2.0 | | | V |
| Reverse Leakage Current | I_R | $V_{RWM} = 2.5V, T=25^\circ C$ | | | 0.5 | μA |
| Clamping Voltage | V_C | $I_{PP} = 1A, t_p = 8/20\mu s$ | | | 6.5 | V |
| Clamping Voltage | V_C | $I_{PP} = 5A, t_p = 8/20\mu s$ | | | 13 | V |
| Junction Capacitance | C_j | VR = 0V, f = 1MHz Any I/O pin to GND | | | 0.8 | pF |
| | | VR = 0V, f = 1MHz Between I/O pins | | 0.4 | | pF |

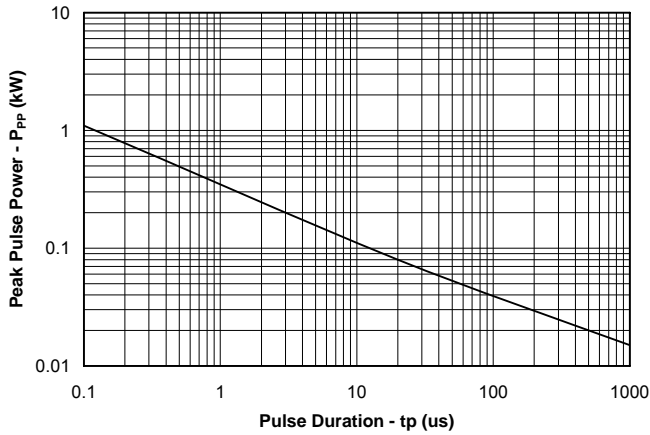
PROTECTION PRODUCTS

| RClamp3304P | | | | | | |
|---------------------------|-----------|--|---------|---------|---------|---------|
| Parameter | Symbol | Conditions | Minimum | Typical | Maximum | Units |
| Reverse Stand-Off Voltage | V_{RWM} | Pin 3 to GND | | | 3.3 | V |
| Punch-Through Voltage | V_{PT} | $I_{PT} = 2\mu A$ | 3.5 | | | V |
| Snap-Back Voltage | V_{SB} | $I_{SB} = 50mA$ | 2.8 | | | V |
| Reverse Leakage Current | I_R | $V_{RWM} = 3.3V, T=25^\circ C$ | | | 0.5 | μA |
| Clamping Voltage | V_C | $I_{PP} = 1A, t_p = 8/20\mu s$ Any I/O GND | | | 7.5 | V |
| Clamping Voltage | V_C | $I_{PP} = 5A, t_p = 8/20\mu s$ Any I/O to GND | | | 16 | V |
| Junction Capacitance | C_j | $V_R = 0V, f = 1MHz$ Any I/O pin to GND | | | 0.8 | pF |
| | | $V_R = 0V, f = 1MHz$ Between I/O pins | | 0.4 | | pF |

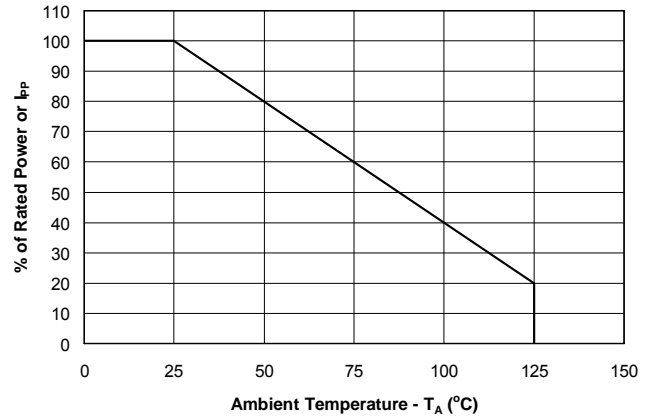
PROTECTION PRODUCTS

Typical Characteristics

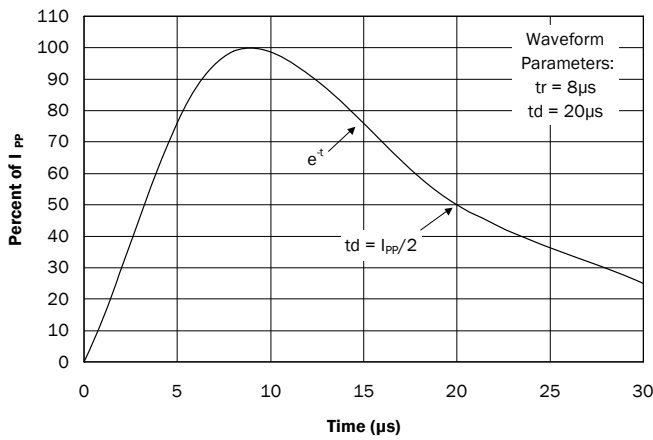
Non-Repetitive Peak Pulse Power vs. Pulse Time



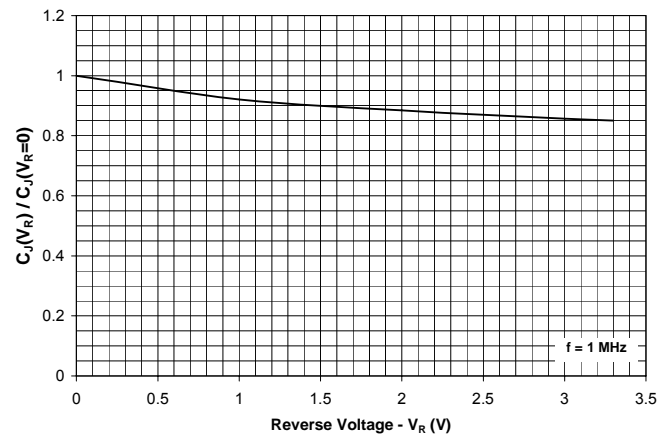
Power Derating Curve



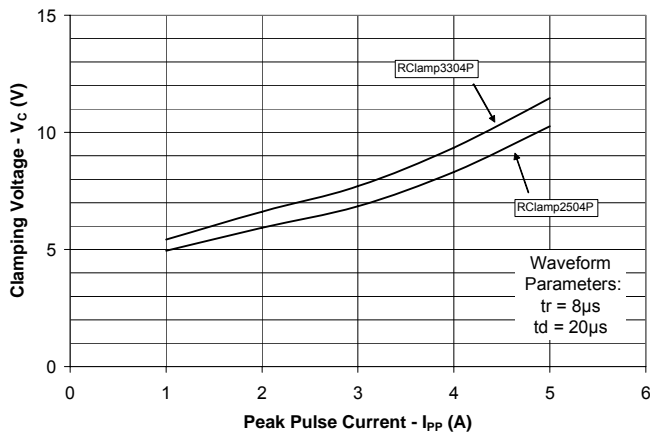
Pulse Waveform



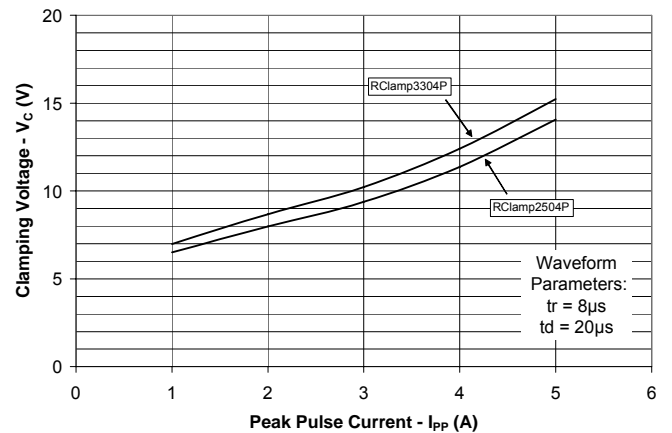
Normalized Capacitance vs. Reverse Voltage



Clamping Voltage vs. Peak Pulse Current I/O to GND



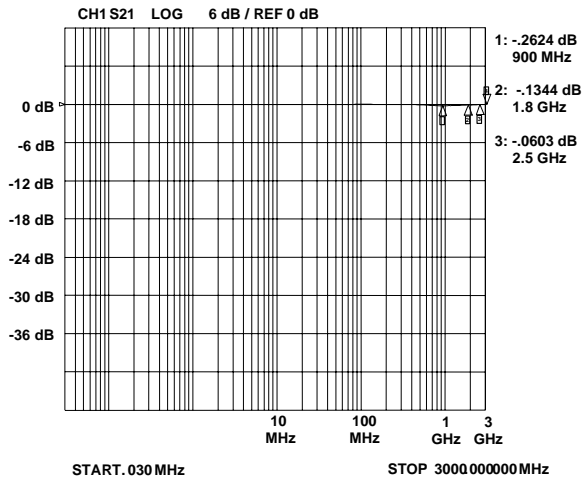
Clamping Voltage vs. Peak Pulse Current I/O to I/O



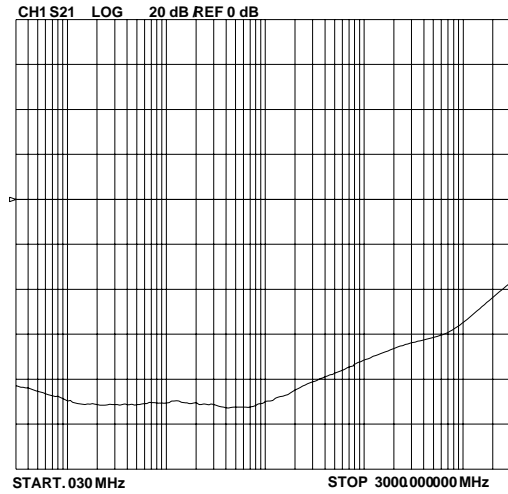
PROTECTION PRODUCTS

Typical Characteristics

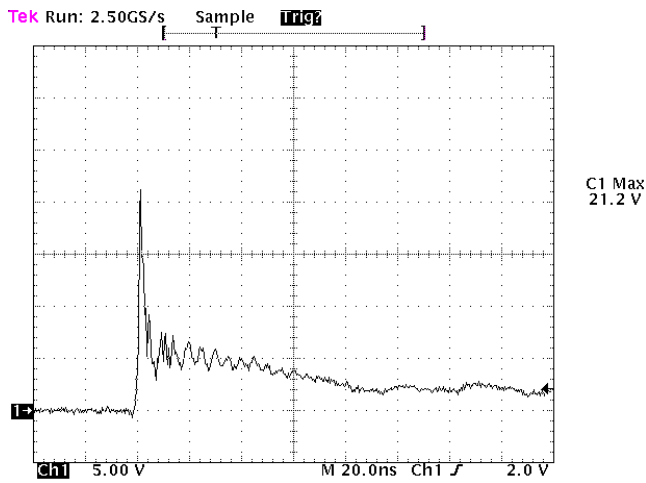
Insertion Loss S21 (I/O to Gnd)



Analog Crosstalk



ESD Clamping (8kV Contact per IEC 61000-4-2)



Note: Data is taken with a 10x attenuator

PROTECTION PRODUCTS

Applications Information

Device Connection for Protection of Four High-Speed Data Lines

These devices are designed to protect low voltage data lines operating at 2.5 volts or 3.3 volts. When the voltage on the protected line exceeds the TVS working voltage, the steering diodes are forward biased, conducting the transient current away from the sensitive circuitry, through the internal TVS to ground. Data lines are connected at pins 1, 2, 5 and 6. The center pin should be connected directly to a ground plane. The path length is kept as short as possible to minimize parasitic inductance. For best results, multiple micro-vias connected to ground are recommended. Pins 3 and 4 are not connected.

Note that pin 3 is connected internally to the cathode of the low voltage TVS. It is not recommended that this pins be directly connected to a DC source greater than the snap-back voltage (V_{SB}) as the device can latch on as described below.

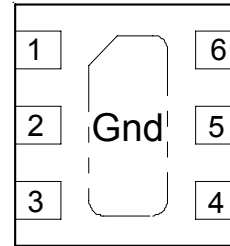
EPD TVS Characteristics

These devices are constructed using Semtech's proprietary EPD technology. By utilizing the EPD technology, the device can effectively operate at 3.3V while maintaining excellent electrical characteristics.

The EPD TVS employs a complex npn structure in contrast to the pn structure normally found in traditional silicon-avalanche TVS diodes. Since the EPD TVS devices use a 4-layer structure, they exhibit a slightly different IV characteristic curve when compared to conventional devices. During normal operation, the device represents a high-impedance to the circuit up to the device working voltage (V_{RWM}). During an ESD event, the device will begin to conduct and will enter a low impedance state when the punch through voltage (V_{PT}) is exceeded. Unlike a conventional device, the low voltage TVS will exhibit a slight negative resistance characteristic as it conducts current. This characteristic aids in lowering the clamping voltage of the device, but must be considered in applications where DC voltages are present.

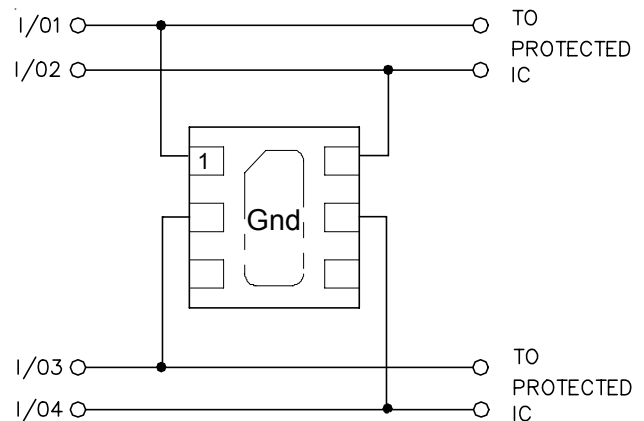
When the TVS is conducting current, it will exhibit a slight "snap-back" or negative resistance characteristics due to its structure. This point is defined on the curve by the snap-back voltage (V_{SB})

Figure 1. Pin Configuration (Top Side View)

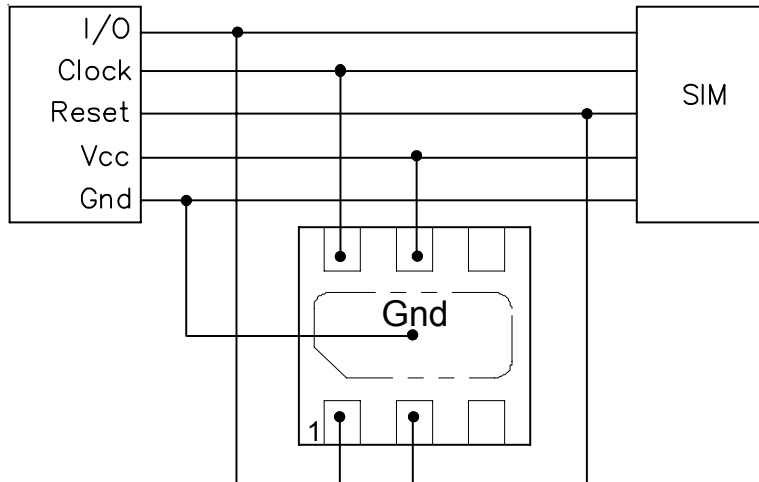


| Pin | Identification |
|------------|---|
| 1, 2, 5, 6 | Input/Output Lines |
| 4 | Not Connected |
| 3 | 2.5V or 3.3V (Do not connect this pin to a DC supply greater than V_{SB}) |
| Center Tab | Ground |

Protection of Four Data Lines

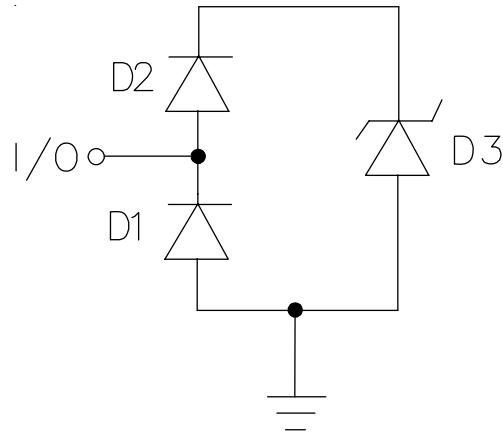


and snap-back current (I_{SB}). To return to a non-conducting state, the current through the device must fall below the I_{SB} (approximately <50mA) and the voltage must fall below the V_{SB} (normally 2.8 volts for a 3.3V device). If a 3.3V TVS is connected to 3.3V DC source, it will never fall below the snap-back voltage of 2.8V and will therefore stay in a conducting state.

PROTECTION PRODUCTS**Typical Applications****SIM Port - Protection of Three Data Lines and VCC**

PROTECTION PRODUCTS

Applications Information - Spice Model

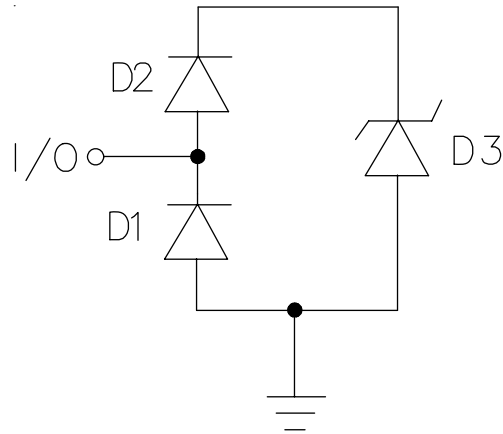


RClamp2504P Spice Model

| RClamp2504P Spice Parameters | | | | |
|------------------------------|-------|-----------|-----------|----------|
| Parameter | Unit | D1 (LCRD) | D2 (LCRD) | D3 (TVS) |
| IS | Amp | 1E-20 | 1E-20 | 2.19E-12 |
| BV | Volt | 100 | 100 | 2.88 |
| VJ | Volt | 0.7 | 0.7 | 0.6 |
| RS | Ohm | 0.456 | 0.714 | 0.195 |
| IBV | Amp | 1E-3 | 1E-3 | 1E-3 |
| CJO | Farad | 0.3E-12 | 0.3E-12 | 63E-12 |
| TT | sec | 2.541E-9 | 2.541E-9 | 2.541E-9 |
| M | -- | 0.01 | 0.01 | 0.16 |
| N | -- | 1.1 | 1.1 | 1.1 |
| EG | eV | 1.11 | 1.11 | 1.11 |

PROTECTION PRODUCTS

Applications Information - Spice Model

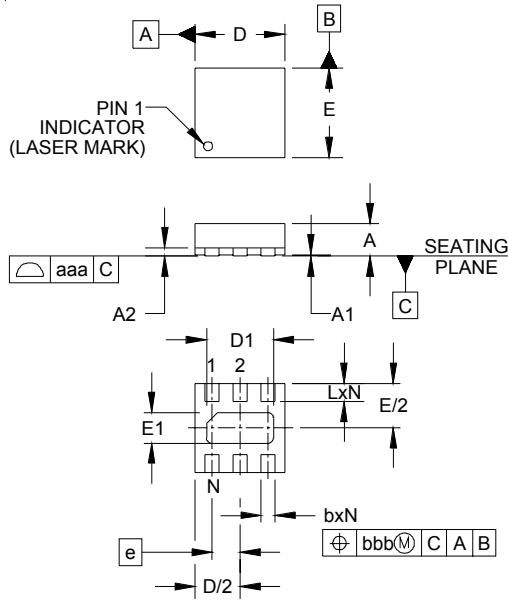


RClamp3304P Spice Model

| RClamp3304P Spice Parameters | | | | |
|------------------------------|-------|-----------|-----------|----------|
| Parameter | Unit | D1 (LCRD) | D2 (LCRD) | D3 (TVS) |
| IS | Amp | 1E-20 | 1E-20 | 2.19E-12 |
| BV | Volt | 100 | 100 | 3.3 |
| VJ | Volt | 0.70 | 0.70 | 0.62 |
| RS | Ohm | 0.456 | 0.714 | 0.36 |
| IBV | Amp | 1E-3 | 1E-3 | 1E-3 |
| CJO | Farad | 0.3E-12 | 0.3E-12 | 73E-12 |
| TT | sec | 2.541E-9 | 2.541E-9 | 2.541E-9 |
| M | -- | 0.01 | 0.01 | 0.18 |
| N | -- | 1.1 | 1.1 | 1.1 |
| EG | eV | 1.11 | 1.11 | 1.11 |

PROTECTION PRODUCTS

Outline Drawing - SLP1616P6

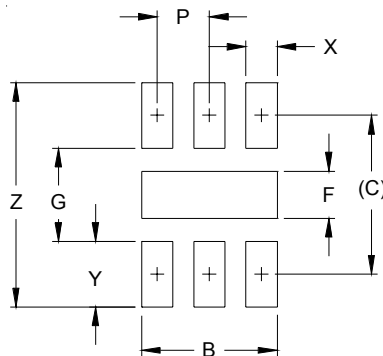


| DIM | INCHES | | | MILLIMETERS | | |
|-----|--------|----------|------|-------------|----------|------|
| | MIN | NOM | MAX | MIN | NOM | MAX |
| A | .020 | .023 | .026 | 0.50 | 0.58 | 0.65 |
| A1 | 0.00 | .001 | .002 | 0.00 | 0.03 | 0.05 |
| A2 | | (.006) | | | (0.15) | |
| b | .007 | .010 | .012 | 0.20 | 0.25 | 0.30 |
| D | .059 | .063 | .067 | 1.50 | 1.60 | 1.70 |
| D1 | .041 | .047 | .051 | 1.05 | 1.20 | 1.30 |
| E | .059 | .063 | .067 | 1.50 | 1.60 | 1.70 |
| E1 | .016 | .022 | .026 | 0.40 | 0.55 | 0.65 |
| e | | .020 BSC | | | 0.50 BSC | |
| L | .013 | .013 | .016 | 0.25 | 0.33 | 0.40 |
| N | | 6 | | | 6 | |
| aaa | | .004 | | | 0.09 | |
| bbb | | .004 | | | 0.09 | |

NOTES:

1. CONTROLLING DIMENSIONS ARE IN MILLIMETERS (ANGLES IN DEGREES).
2. COPLANARITY APPLIES TO THE EXPOSED PAD AS WELL AS THE TERMINALS.

Land Pattern - SLP1616P6



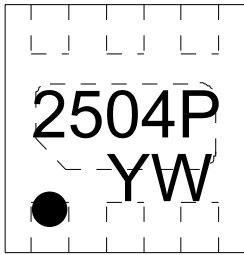
| DIM | DIMENSIONS | |
|-----|------------|-------------|
| | INCHES | MILLIMETERS |
| B | .051 | 1.30 |
| C | .060 | 1.52 |
| P | .020 | 0.50 |
| F | .018 | 0.45 |
| G | .035 | 0.89 |
| X | .012 | 0.30 |
| Y | .025 | 0.63 |
| Z | .085 | 2.15 |

NOTES:

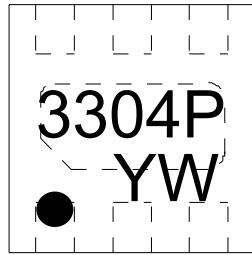
1. THIS LAND PATTERN IS FOR REFERENCE PURPOSES ONLY.
CONSULT YOUR MANUFACTURING GROUP TO ENSURE YOUR COMPANY'S MANUFACTURING GUIDELINES ARE MET

PROTECTION PRODUCTS

Marking



RClamp2504P



RClamp3304P

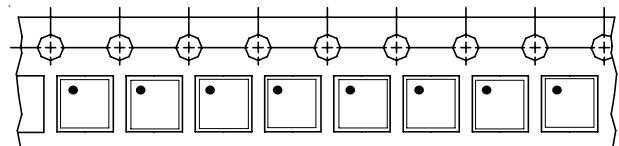
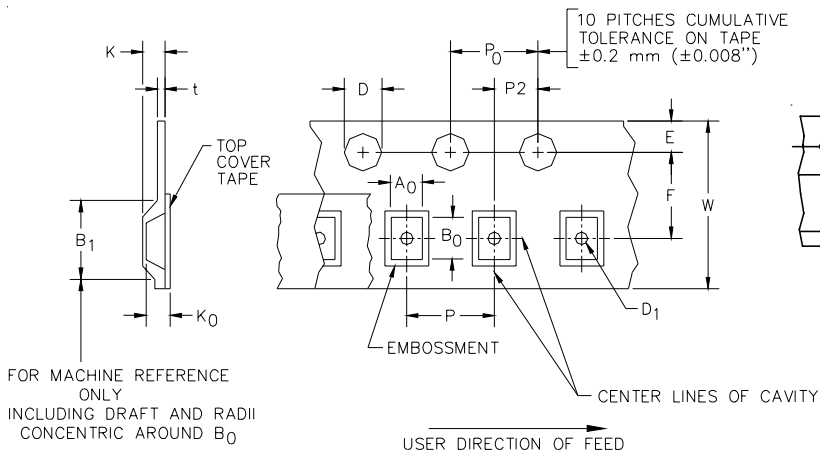
YW = Date Code

Ordering Information

| Part Number | Working Voltage | Qty per Reel | Reel Size |
|-----------------|-----------------|--------------|-----------|
| RClamp2504P.TCT | 2.5 Volts | 3,000 | 7 Inch |
| RClamp3304P.TCT | 3.3 Volts | 3,000 | 7 Inch |

RailClamp and RClamp are marks of Semtech Corporation

Tape and Reel Specification



**Device Orientation in Tape
(Pin 1 upper left towards sprocket holes)**

| A0 | B0 | K0 |
|-----------------|-----------------|-----------------|
| 1.78 +/-0.10 mm | 1.78 +/-0.10 mm | 0.69 +/-0.10 mm |

| Tape Width | B, (Max) | D | D1 | E | F | K (MAX) | P | P0 | P2 | T(MAX) | W |
|------------|----------|----------------------------|-----------------|-----------------|----------------|---------|---------------|---------------|----------------|--------|--------------------------------|
| 8 mm | 4.2 mm | 1.5 + 0.1 mm - 0.0 mm) | 0.5 mm ±0.05 | 1.750±.10 mm | 3.5±0.05 mm | 2.4 mm | 4.0±0.1 mm | 4.0±0.1 mm | 2.0±0.05 mm | 0.4 mm | 8.0 mm + 0.3 mm - 0.1 mm |

Contact Information

Semtech Corporation
Protection Products Division
200 Flynn Rd., Camarillo, CA 93012
Phone: (805)498-2111 FAX (805)498-3804